



**Wet-Abrasive-Blasting-System**

„List of Spare Parts“  
torbo<sup>®</sup> S080 to torbo<sup>®</sup> M120  
1/2002 english



## Contents

<b>List of Spare Parts torbo® S080 / S120 / M080 / M120 .....</b>	<b>5</b>
0.00.00 torbo® S080 to M120 .....	5
1.00.00 Sieve top S95.....	7
2.00.00 Vessel (Tank).....	8
2.01.00 Vessel sealing 99.....	9
2.02.00 Overflow.....	9
2.03.00 Water feeding pipe 99.....	10
2.04.00 Abrasive outlet 99.....	10
2.05.00 Internal water 99.....	11
3.00.00 Control cabinet.....	12
3.01.00 Powerbox S99 .....	14
3.02.00 Dosing valves .....	15
3.03.00 Piston pump.....	16
3.04.00 Compressed air connetion 99-II .....	18
3.05.00 Switching unit D8002.....	20
3.06.00 Switching unit S6302 .....	21
3.07.00 Switching unit QS8002 and Connetion Blast hose 02.....	22
3.08.00 Connetion, Switching unit S6302.....	24
3.09.00 Compressed air connetion 99-I .....	25
3.10.00 Water connetion 99.....	27
3.11.00 Connetion Pump 99 .....	28
4.00.00 Standard Equipment .....	29
4.01.00 Safty Equipment .....	29
4.02.00 Handheld lance, Nozzle, hose, holder, Coupling, Cabel.....	30
4.03.00 Remote control FB S99 .....	32

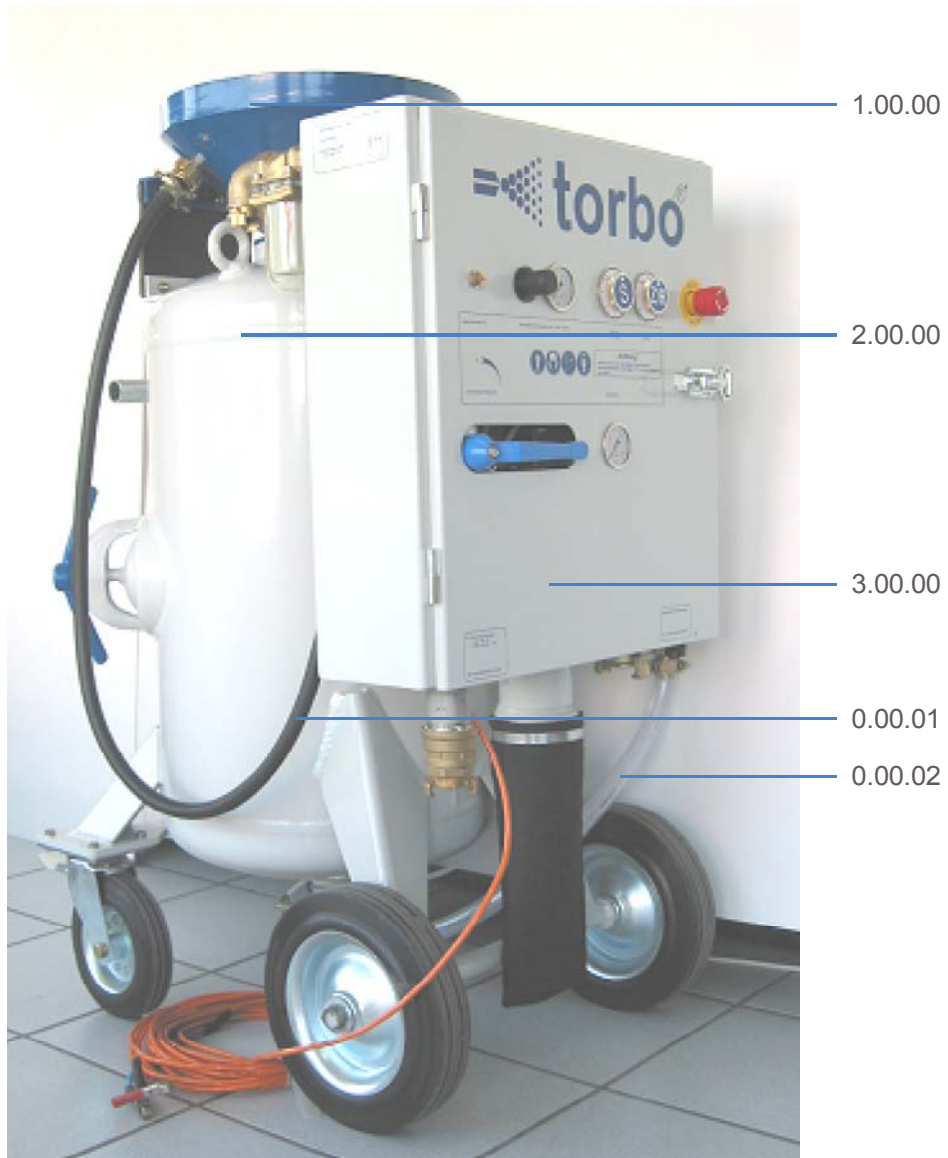


## List of Spare Parts



Listed articles with a denomination which is moved to the right side, are components of the respective articles mentioned before!

### 0.00.00 torbo® S080 to M120

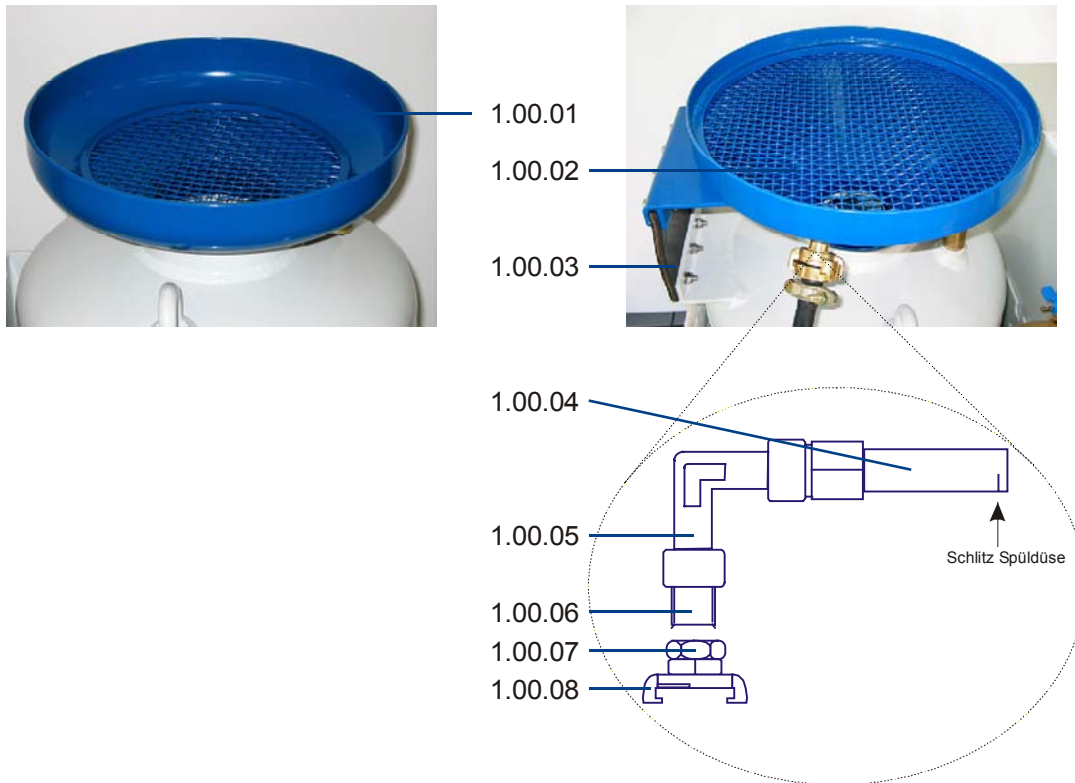


Item	Article	Denomination	Quantity
0.00.00		torbo S080 torbo M080 torbo S120 torbo M120	
0.00.01	22 360	Pressure water hose 1/2 – 1,8 m, compl. (for Sieve top)	1
0.00.02	21 055	Abrasive supply hose 19-660, compl.	1
1.00.00		Sieve top	look page 7
2.00.00		Control cabinet	look page 8
3.00.00		Vessel	look page 12



If you need more detailed information, please ask your dealer!

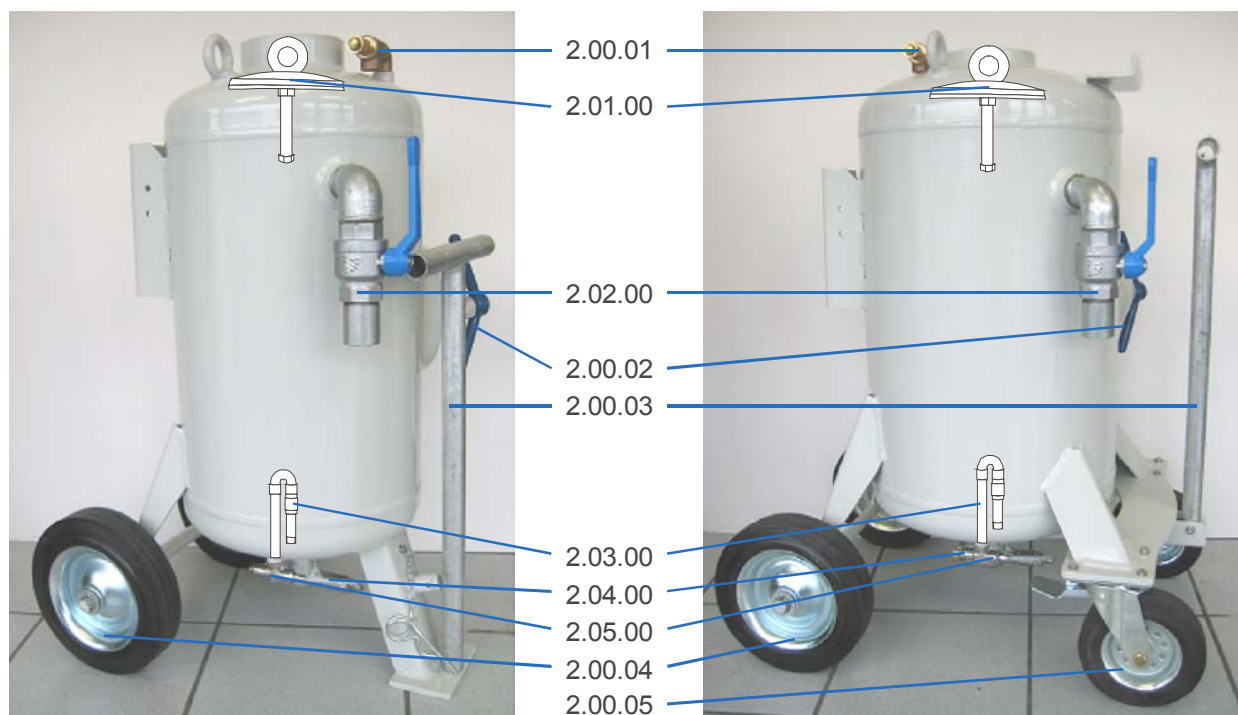


**1.00.00 Sieve top**

Item	Article	Denomination	Quantity
1.00.01	21 149	<b>For torbo® S080 and M080</b> Sieve top T95, compl.	
1.00.02	21 294	<b>For torbo® S120 and M120</b> Sieve top S95, compl.	
1.00.03	20 803	Rubber plate (4-4-Hole), Sieve top 95	1
	20 890	Gripping jaw (4-Hole-blue), Sieve top 95	1
	21 474	Gripping jaw (4-Hole-gray), Sieve top 95	1
	20 897	Fastening element 08-005	4+4
		<b>For torbo® S120 and M120 with Kit (203)</b>	
1.00.02	21 295	Sieve top S95, compl. (with Kit (203) – Water connetion S95)	
	21 296	Water connetion, Sieve top S95, compl.	1
1.00.03	20 803	Rubber plate (4-4-Hole), Sieve top 95	1
	20 890	Gripping jaw (4-Hole-blue), Sieve top 95	1
	21 474	Gripping jaw (4-Hole-gray), Sieve top 95	1
	20 897	Fastening element 08-005	4+4
1.00.04	21 396	Rinsing nozzle 95	1
1.00.05	20 867	Elbow 1/4, F-Thread	1
1.00.06	20 908	Nippel 1/4, M-Thread	1
1.00.07	20 565	Reduce nippel 1/4-3/8, F/M-Thread	1
1.00.08	20 200	Pressure water coupling (NW 40 mm) 3/8, F-Thread	1
	20 684	Gasket, Pressure water coupling (NW 40 mm)	1



If you need more detailed information, please ask your dealer!

**2.00.00 Vessel (Tank)**

Für torbo S080 und M080

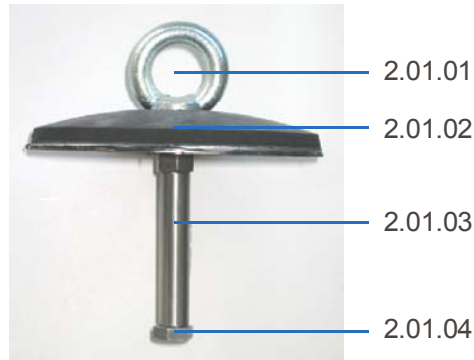
Für torbo S120 und M120

Item	Article	Denomination	Quantity
<b>2.00.00</b>		<b>For torbo® S080 und M080</b>	<b>1</b>
	21 089	Vessel 080 98, compl.	
	22 281	Vessel 080 00, galvanized, powder-coat	
<b>2.00.00</b>		<b>For torbo® S120 and M120</b>	<b>1</b>
	21 533	Vessel 120 98, compl.	
	21 534	Vessel 120 98, galvanized, powder-coat	
2.00.01	20 582	Pressure relief valve, Vessel, compl.	1
	20 180	Pressure relief valve 3/4 – 12 bar, M-Thread	1
2.00.02	21 536	Vessel closure (lock)	1
		Handle	1
	20 280	Gasket, Vessel closure (lock)	1
2.00.03	21 535	Tow bar 98, Vessel, compl.	1
	21 395	Fastening element 08-007	1
2.00.04	20 315	Wheel d=280 mm, compl.	2
2.00.05	20 328	Wheel with brake, compl.	2
2.01.00	20 636	Vessel sealing 99, compl.	look page 9
2.02.00		Overflow	look page 9
2.03.00	21 889	Internal water 99, compl. (im Vessel)	look page 10
2.04.00	21 741	Abrasive outlet 99, compl.	look page 10
2.05.00	22 388	Water feeding pipe 02, compl.	look page 11

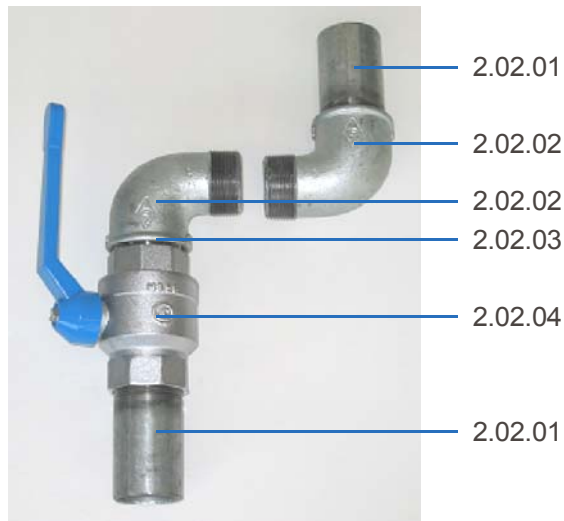


If you need more detailed information, please ask your dealer!



**2.01.00 Vessel sealing 99**

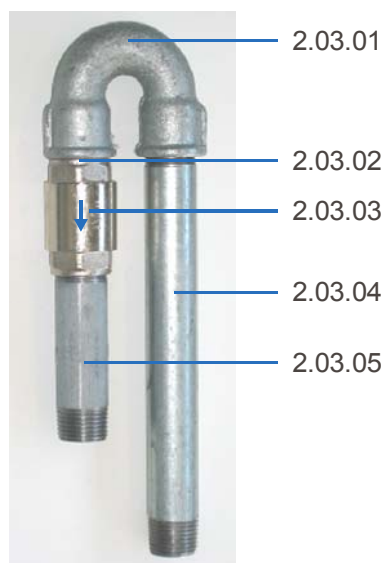
Item	Article	Denomination	Quantity
<b>2.01.00</b>	<b>20 636</b>	<b>Vessel sealing 98, compl., Vessel</b>	<b>1</b>
2.01.01	20 593	Ring-screw M12	1
2.01.02	20 316	Vessel sealing disk 98	1
2.01.03	20 348	Distance-holders 16/13x80mm	1
2.01.04	22 043	Hex. screw DIN 933-M12x90-A2	1

**2.02.00 Overflow**

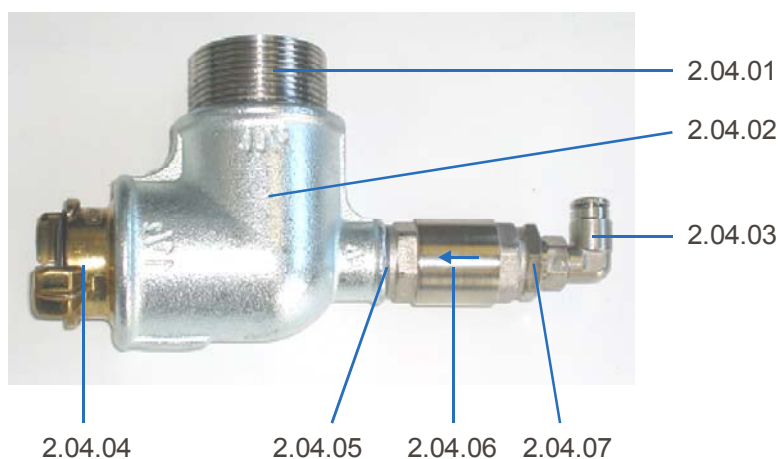
Item	Article	Denomination	Quantity
<b>2.01.00</b>		<b>Overflow 98</b>	<b>1</b>
	21 057	Overflow 98 (Tank outside), compl.	1
	22 362	Overflow 95 (Tank inside), for torbo S080 and M080	1
	20 647	Overflow 95 (Tank inside), for torbo S120 and M120	1
2.01.01	21 005	Nippel 11/2-180 mm, M-Thread	0,5
2.01.02	20 169	Elbow 11/2, F/M-Thread	2
2.01.03	20 171	Nippel 11/2, M-Thread	1
2.01.04	20 335	Venting valve 11/2, F-Thread	1
	20 623	Handle, Venting valve 11/2 (blue)	1



If you need more detailed information, please ask your dealer!

**2.03.00 Internal water 99 (inside Vessel)**

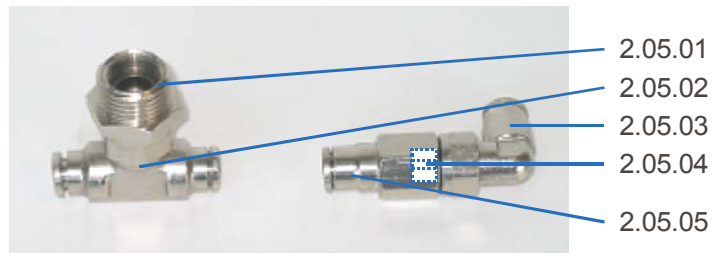
Item	Article	Denomination	Quantity
<b>2.03.00</b>	<b>21 889</b>	<b>Internal water 99, compl., Vessel</b>	<b>1</b>
2.03.01	20 167	Elbow 1/2-180°, F-Thread	1
2.03.02	20 149	Nippel 1/2, M-Thread	1
2.03.03	21 883	Non-return valve 1/2, straight Form, F-Thread	1
2.03.04	20 164	Nippel 1/2-180 mm, M-Thread	1
2.03.05	21 884	Nippel 1/2-80 mm, M-Thread	1

**2.04.00 Abrasive outlet 99**

Item	Article	Denomination	Quantity
<b>2.04.00</b>	<b>21 741</b>	<b>Abrasive outlet 99, compl., Vessel</b>	<b>1</b>
2.04.01	20 171	Nippel 1 1/2, M-Thread	1
2.04.02	20 170	T-Fitting 1 1/2-1 1/2-1/2, F-Thread	1
2.04.03	20 135	Push-In 1/8-08, Form WA	1
2.04.04	20 201	Pressure water coupling (NW 40 mm) 1 1/2, M-Thread	1
	20 684	Gasket, Pressure water coupling (NW 40 mm)	1
2.04.05	20 149	Nippel 1/2 M-Thread	1
2.04.06	21 883	Non-return valve 1/2, F-Thread, straight Form	1
2.04.07	20 215	Reduce nippel 1/8-1/2, F/M-Thread	1



If you need more detailed information, please ask your dealer!

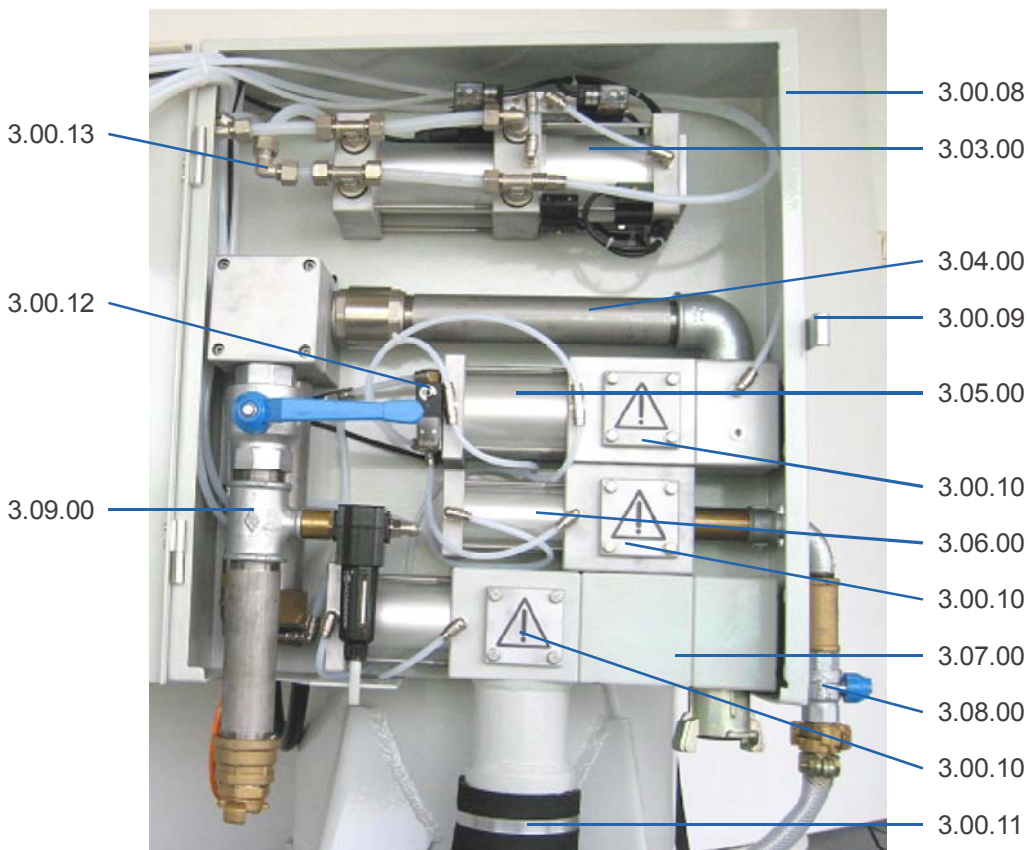
**2.05.00 Water feeding pipe 02**

Item	Article	Denomination	Quantity
<b>2.05.00</b>	<b>22 388</b>	<b>Water feeding pipe 02, compl., Vessel</b>	<b>1</b>
2.05.01	20 214	Reduce nippel 3/8"-1/2" F/M-Thread	1
2.05.02	21 562	Push-In 3/8-08,Form TA	1
2.05.03	22 363	Push-In 1/4-08,Form WA (with 1/8 Thread)	1
2.05.04	20 228	Nozzle 1/8 (Stuffs without edge; Drilling 0,7 mm)	1
2.05.05	20 131	Push-In 1/4-08,Form GI	1



If you need more detailed information, please ask your dealer!

### 3.00.00 Control cabinet

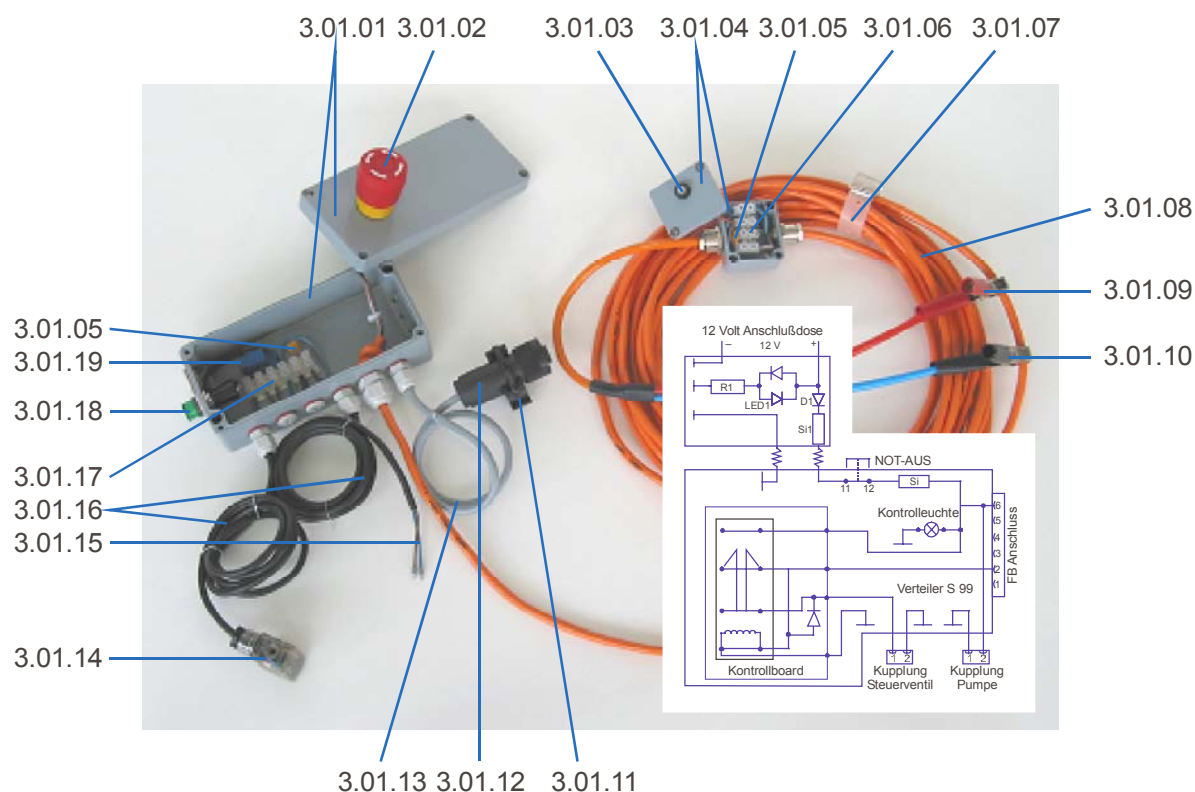


**3.00.00 Control cabinet**

Item	Article	Denomination	Quantity
3.00.01	21 963	Compressed air empty, compl.	1
3.00.02	21 966	Air-Control-element SM 99, compl. (Control-pressure)	1
	20 873	Push-In 1/4-06, Form GA	2
	20 136	Push-In 1/4-08, Form WA	2
	22 359	Nut for Panel-montages, Air-Control-element S/M99	2
3.00.03	21 799	Gauge 99 (for installs)	1
	21 559	Push-In 1/4-08, Form WI	1
3.00.04	20 518	Lock, Control cabinet, compl.	1
3.00.05	21 799	Gauge 99 (for installs)	1
	20 143	Push-In 1/4-06, Form WI	1
3.00.06	21 906	Holder, Coupling FB 99, compl.	1
3.00.07	21 965	Door, Control cabinet SM 99 powder-coat	1
3.00.08	21 959	Frame, Control cabinet SM 99 powder-coat	1
	21 847	Hinge 99, compl.	2
3.00.09	20 517	Hook, Control cabinet, compl.	1
3.00.10	22 364	Locking-plate 02 DWSQS	3
	20 236	O-Ring 60x3	3
	21 835	Fastening element 06-010	4
3.00.11	21 853	Outlet hose QS8099, compl.	1
	20 330	Clamp 80-120	1
3.00.12	22 196	Port valve 01-1/8-1, elektr., compl.	1
	22 190	Port valve 01-1/8-1, elektr.	1
	22 197	Port valve 01-1/8-1, pneum., compl.	1
	22 200	Port valve 01-1/8-1, pneum.	1
3.00.13	22 347	Compression Fitting 12, Form W	1
	22 346	Tubing Sleeve, Compression Fitting 12 mm	1
3.00.14	21 300	Stickers-kit „torbo S/M“ (declare language please!)	1
3.01.00		Powerbox S02	look page 14
3.02.00		Dosing valves	look page 15
3.03.00		Piston pump 2K/080-063/02	look page 16
3.04.00		Compressed air connection 99-II	look page 18
3.05.00		Switching unit D8002	look page 20
3.06.00		Switching unit S6302	look page 21
3.07.00		Switching unit QS8002 (Kit 411)	look page 22
		<b>for machine without Switching unit QS8002:</b>	
	21 910	Plate QS instead of QS8099	1
	22 209	Nippel 1 1/2	1
	21 634	Blasting Coupling 1 1/2, F-Thread	1
	20 607	Gasket, Blasting Coupling (NW 42 mm), 11 mm	1
	21 594	Gasket, Blasting Coupling (NW 42 mm), 20 mm	1
3.08.00		Connection, Switching unit S6302	look page 24
3.09.00		Compressed air connection 99-I	look page 25
3.10.00	21 792	Water connection 99	look page 27
3.11.00	21 798	Connection, Pumpe 99 (Kit 203)	look page 28



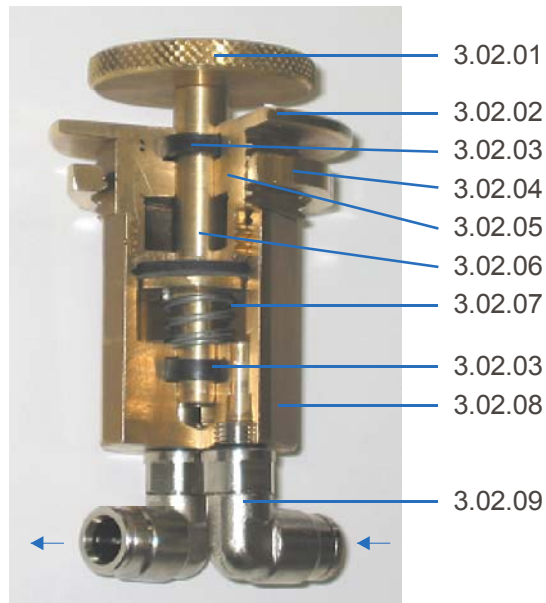
If you need more detailed information, please ask your dealer!

**3.01.00 Powerbox S02**

Item	Article	Denomination	Quantity
<b>3.01.00</b>	<b>22 365</b>	<b>Powerbox S02, compl.</b>	<b>1</b>
	20 511	Socket, compl.	1
3.01.01	21 923	Casing, Powerbox S99	1
	20 450	Screw stopper PG 7	3
	21 930	Screw stopper PG 11	1
	20 451	Screwing with strain relief PG 7	2
	21 136	Screwing with strain relief PG 9	1
	21 323	Gasket PG 7	5
	21 324	Gasket PG 9	1
	21 325	Gasket PG 11	1
3.01.02	21 860	Emergency-off-switch 99 (for installs)	1
3.01.03	21 125	LED red/green	1
	21 237	Casing, LED	1
3.01.04	21 321	Casing, Socket	1
	21 402	Screwing with strain relief PG 9, brass	2
3.01.05	21 142	Fuse (Poly-Switch) 50 V / 1,6 A	2
3.01.06	21 328	Terminal block (4 outlets)	1
3.01.07	20 447	Belt with buckle	2
3.01.08	20 800	Cable 2x1-500 m	12,500
3.01.09	20 683	Pole tong, red	1
3.01.10	20 682	Pole tong, black	1
3.01.11	21 906	Holder, Coupling 99	1
3.01.12	21 804	Coupling 99	1
3.01.13	21 342	Cable 2x0,75 – 1 m	1,3
3.01.14	22 202	Coupling with Led (Port valve)	1
3.01.15	21 803	Coupling, Cable FB S99 (9 mm)	1
3.01.16	21 342	Cable 2x0,75 – 1 m	2,6
3.01.17	21 329	Terminal block (6 outlets)	1
3.01.18	22 226	Controllamp, Powerbox FB S-U 99	1
3.01.19	21 967	Controllboard, FB S99 (inside)	1



If you need more detailed information, please ask your dealer!

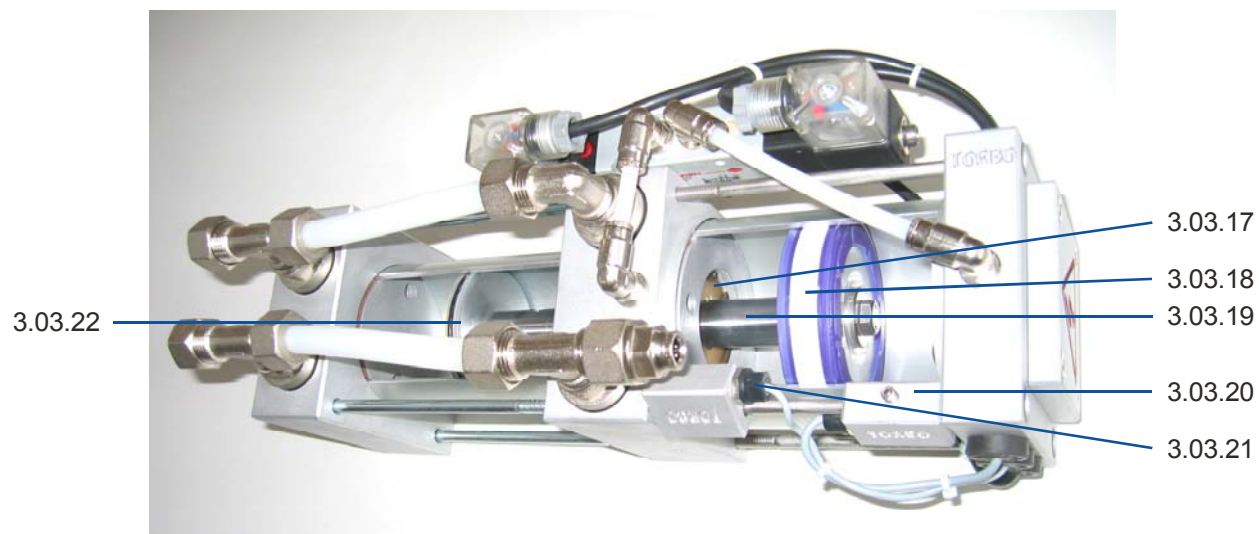
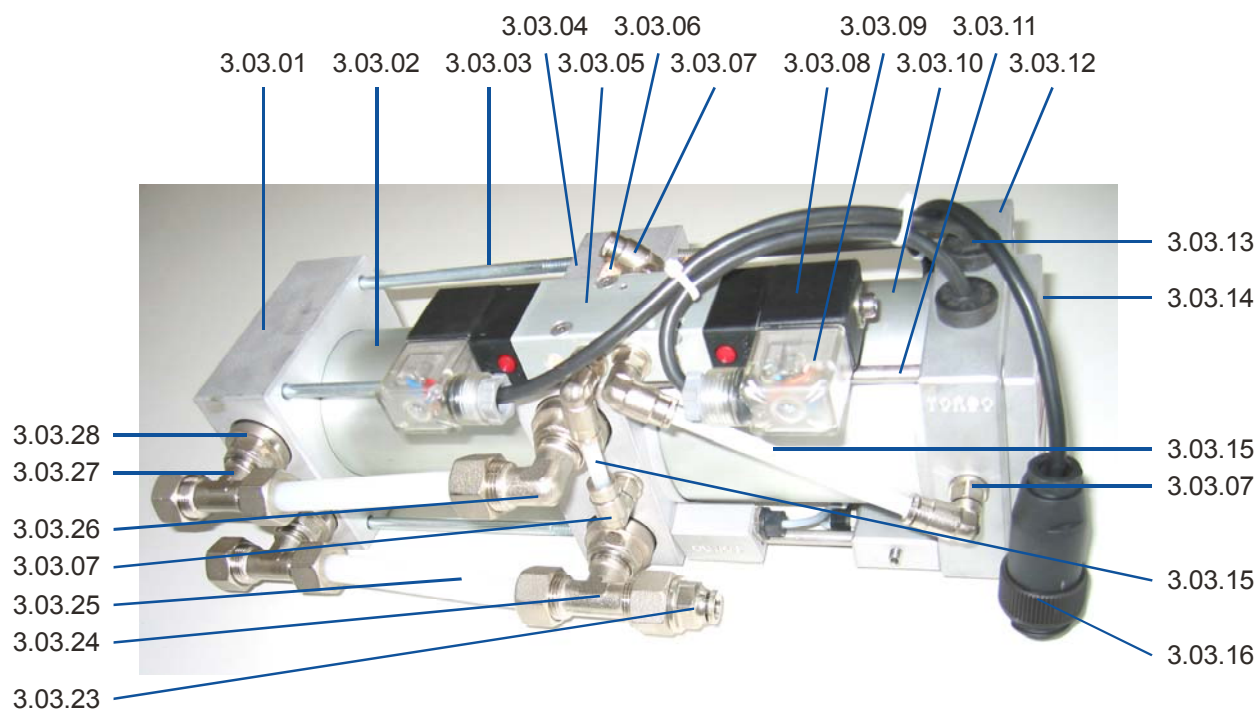
**3.02.00 Dosing valves**

Item	Article	Denomination	Quantity
<b>3.02.00</b>	<b>21 849</b>	<b>Dosing valve 99-03, compl. (please declaring whether „S“ or „Z/R“)</b>	<b>1</b>
	<b>21850</b>	<b>Dosing valve 99-06, compl. (please declaring whether „S“ or „Z/R“)</b>	<b>1</b>
3.02.01	21 664	Hand-wheel DV 99	1
	21 857	Sticker „S“	1
	21 858	Sticker „Z“	1
	22 342	Sticker „Z/R“	1
	22 106	Sticker protection-foil, Hand-wheel 99	
	21 921	Screw thread-pen DIN 913-M4x10-A2	1
3.02.02	22 033	Sticker Scale 99-03	1
	22 034	Sticker Scale 99-06	1
	22 233	Sticker protection-foil, Scale 99	1
3.02.03	20 893	Gasket 11x17x4	2
3.02.04	22 046	Check nut 1 1/4	1
3.02.05	21 917	Insert 99-03	1
	21 918	Insert 99-06	1
3.02.06	21 667	Pestles, Dosing valve 98	1
3.02.07	21 916	Pressure-feather DV 99	1
3.02.08	21 922	Base element DV 99	1
3.02.09	20 135	Push-In 1/8-08, Form WA	1



If you need more detailed information, please ask your dealer!

**3.03.00 Piston pump 2K/080-063/02**



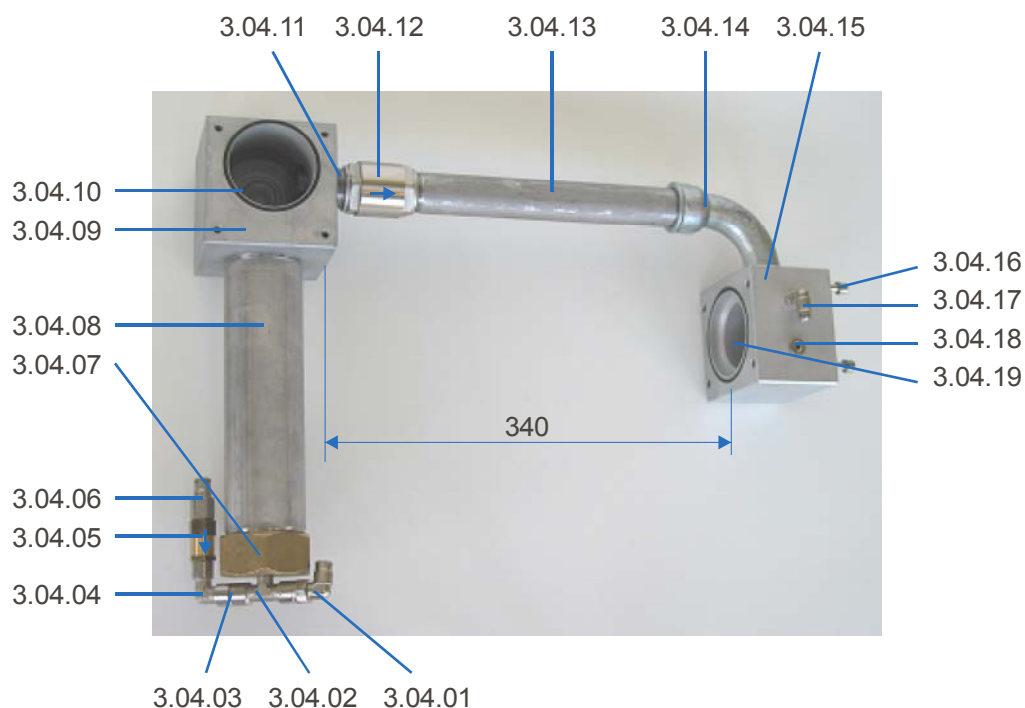


**3.03.00 Piston pump 2K/080-063/02**

Item	Article	Denomination	Quantity
<b>3.03.00</b>	<b>22 366</b>	<b>Piston pump 2K/080-063/02</b>	<b>1</b>
	<b>22 367</b>	<b>Exchange Piston pump 2K/080-063/02</b>	<b>1</b>
3.03.01	22 368	Plate 2K/080-0XX/01 W	1
3.03.02	22 369	Cylinder 063-02 W, compl.	1
	22 370	Gasket TEK 063 02	2
3.03.03	22 371	Fastening element	4
3.03.04	22 372	Plate 2K/080-0XX/01 LW	1
3.03.05	22 191	Port valve 01-1/8-02, elektr.	1
	21 896	Fastening element 04-011	2
3.03.06	20 225	Noise surpression 1/8	2
3.03.07	20 134	Push-In 1/8-06, Form WA	5
3.03.08	22 201	Coil, Port valve 01	2
3.03.09	22 202	Coupling, Port valve 01	2
3.03.10	22 314	Cylinder 080-02 L, compl.	1
	20 185	Gasket TEK 080 02	2
3.03.11	22 374	Fastening element 08-030	4
3.03.12	22 375	Plate 2K/080-0XX/01 L	1
3.03.13	22 316	Cable-transaction 12,5 mm	5
3.03.14	22 315	Locking-plate EL02, compl.	1
	21 383	Fastening element 06-001	4
	20 236	O-Ring 60x3	1
3.03.15	21 014	Tube 06-1.000 mm, PA-nature	0,15
3.03.16	21 805	Plug, Cable S99 (9 mm)	1
3.03.17	22 324	Guidance-socket 2K 02, compl. (with Gaskets)	1
	22 329	Wiper 20x25x3,6/4,6	1
	20 238	Gasket 20x28x5,5	1
	22 376	O-Ring 38x3	2
	22 049	O-Ring 32x3	1
	22 330	Locking-ring DIN 472-J44	1
3.03.18	22 320	Piston 080-02 M, compl. (with Gaskets)	1
3.03.19	22 377	Piston-rod 2K/080-063/02	1
	22 337	Fastening element 08-029	2
3.03.20	22 578	Holder, Micro switch 03	2
3.03.21	22 577	Micro switch 03	2
3.03.22	22 317	Piston 063-02, compl. (with Gaskets)	1
3.03.23	20 128	Push-In 1/4-08, Form GA	1
3.03.24	22 351	Compression-fitting 3/8-12, Form TA-F-Thread	1
	22 346	Tubing Sleeve, Compression-fitting 12 mm	1
3.03.25	21 026	Tube 12-1.000 mm, PA-nature	0,13
3.03.26	22 350	Compression-fitting 3/8-12, Form WA	1
	22 346	Tubing Sleeve, Compression-fitting 12 mm	1
3.03.27	22 349	Compression-fitting 3/8-12, Form TA	2
	22 346	Tubing Sleeve, Compression-fitting 12 mm	2
3.03.28	22 061	Non-return valve 3/8, straight Form, F-Thread	4
	20 999	Nippel 3/8	4



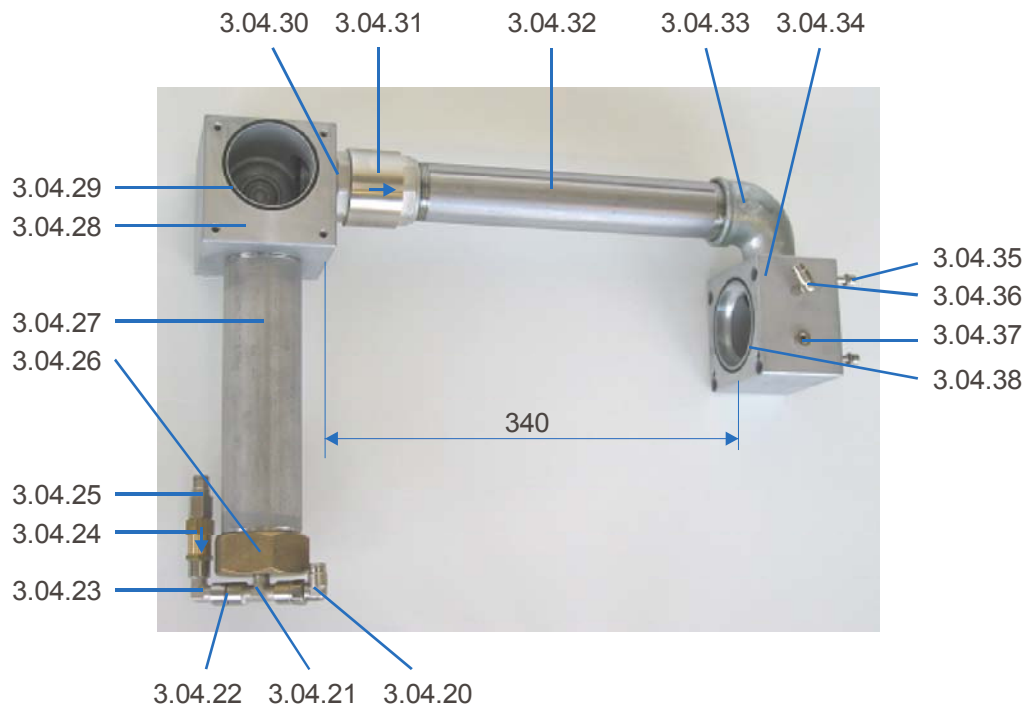
If you need more detailed information, please ask your dealer!

**3.04.00 Compressed air connection 99-II****A. Compressed air connection 99-II-S100 (torbo S080 and S120)**

Item	Article	Denomination	Quantity
<b>For torbo® S080 and S120</b>			
3.04.00	21 779	Compressed air connection 99-II-S-100, compl.	1
3.04.01	20 136	Push-In 1/4-08, Form WA	1
3.04.02	21 774	T-Fitting 1/4, M/F-Thread	1
3.04.03	20 908	Nippel 1/4, M-Thread	1
3.04.04	20 909	Elbow 1/4, F-Thread (R)	1
3.04.05	20 211	Non-return valve 1/4, M-Thread	1
3.04.06	20 131	Push-In 1/4-08, Form GI	1
3.04.07	21 771	Cap 2, heavy design	1
3.04.08	22 203	Nippel 2-250 mm, stainless steel	1
3.04.09	21 887	Block DL 3-100	1
	22 378	Fastening element 06-024	4
3.04.10	21 723	O-Ring 67x3	1
3.04.11	22 214	Nippel 1-50 mm, stainless steel	1
3.04.12	21 738	Non-return valve 1, straight Form, F-Thread	1
3.04.13	22 208	Nippel 1-250 mm, stainless steel	1
3.04.14	22 048	Elbow 1-90°, F/M-Thread	1
3.04.15	22 021	Block DL99-1-S100	1
3.04.16	21 845	Fastening element 06-013	4
3.04.17	20 134	Push-In 1/8-06, Form WA	1
3.04.18	90 178	Screw-stopper 1/8 (with edge)	1
3.04.19	21 724	O-Ring 75x3	1



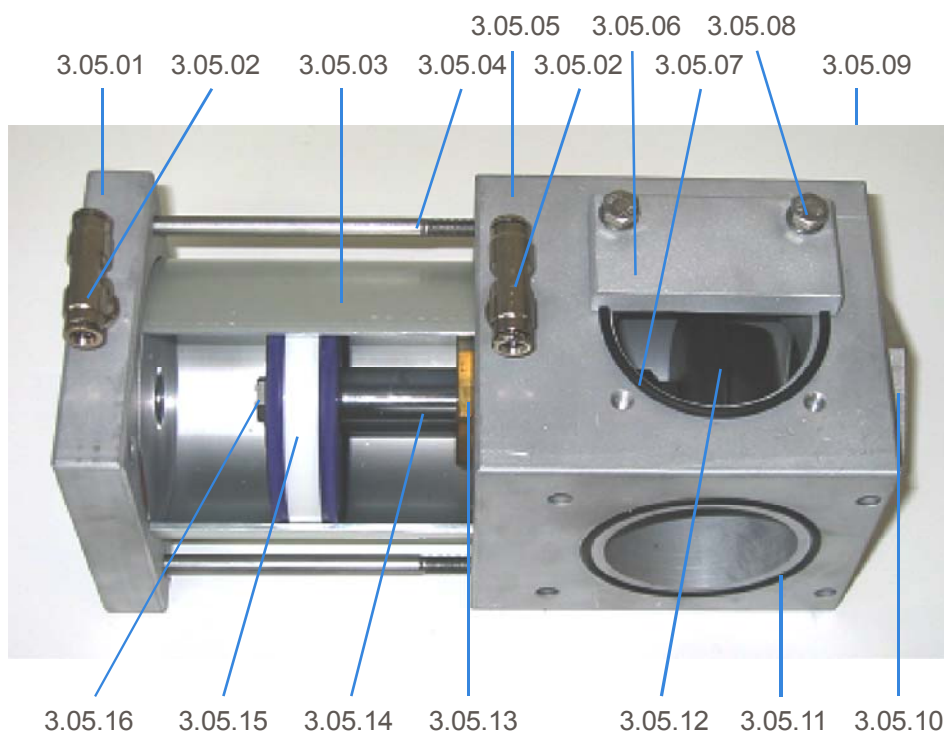
If you need more detailed information, please ask your dealer!

**B. Compressed air connection 99-II-M150 (torbo M080 and M120)**

Item	Article	Denomination	Quantity
		<b>For torbo® M080 and M120</b>	
3.04.00	21 780	Compressed air connection 99-II-M-150, compl.	1
3.04.20	20 136	Push-In 1/4-08, Form WA	1
3.04.21	21 774	T-Fitting 1/4, M/F-Thread	1
3.04.22	20 908	Nippel 1/4, M-Thread	1
3.04.23	20 909	Elbow 1/4, F-Thread (R)	1
3.04.24	20 211	Non-return valve 1/4, M-Thread	1
3.04.25	20 131	Push-In 1/4-08, Form GI	1
3.04.26	21 771	Cap 2", heavy design	1
3.04.27	22 203	Nippel 2-250 mm, stainless steel	1
3.04.28	21 842	Block DL 3-150	1
	22 378	Fastening element 06-024	4
3.04.29	21 723	O-Ring 67x3	1
3.04.30	22 209	Nippel 1 1/2-40- stainless steel	1
3.04.31	21 737	Non-return valve 1 1/2, straight Form, F-Thread	1
3.04.32	22 205	Nippel 1 1/2-290 mm, stainless steel	1
3.04.33	20 169	Elbow 1 1/2, F/M-Thread	1
3.04.34	22 022	Block DL99-1-M150	1
3.04.35	21 845	Fastening element 06-013	4
3.04.36	20 134	Push-In 1/8-06, Form WA	1
3.04.37	90 178	Screw-stopper 1/8 (with edge)	1
3.04.38	21 724	O-Ring 75x3	1



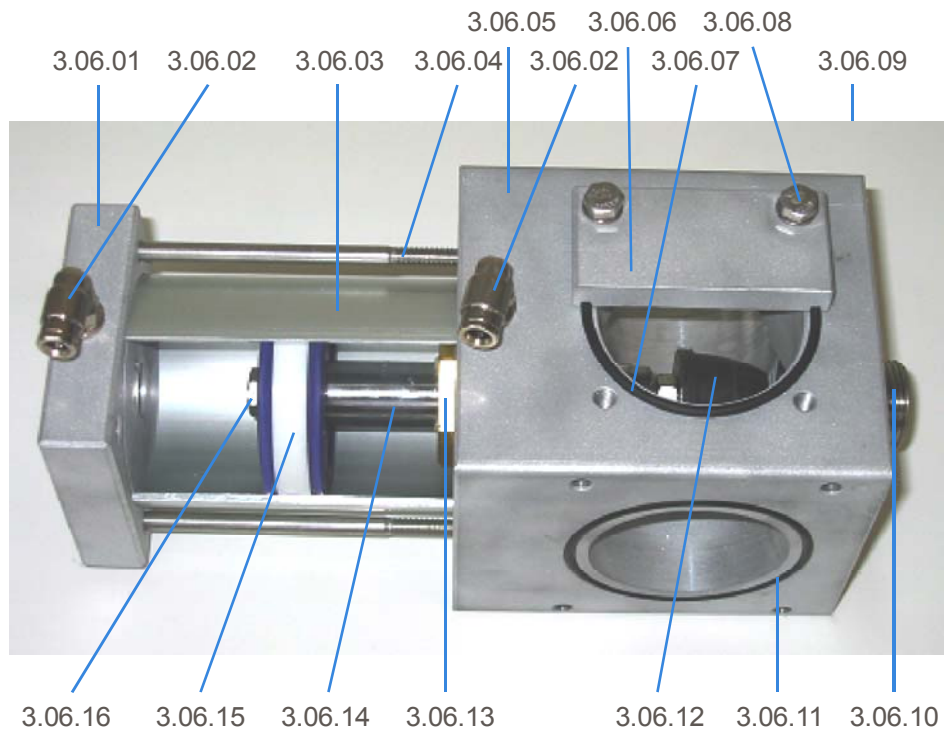
If you need more detailed information, please ask your dealer!

**3.05.00 Switching unit D8002**

Item	Article	Denomination	Quantity
<b>3.05.00</b>	<b>22 379</b>	<b>Switching unit D8002</b>	
	<b>22 380</b>	<b>Exchange Switching unit D8002</b>	
3.05.01	21 755	Plate, Switching unit 8099	1
3.05.02	20 292	Push-In 1/8-06, Form TA	2
3.05.03	21 756	Cylinder 080-02, compl.	1
	20 185	Gasket TEK 08095	2
3.05.04	21 891	Fastening element 06-014	4
3.05.05	21 757	Block 8099	1
3.05.06	22 364	Locking-plate 02 DWSQS	1
3.05.07	20 236	O-Ring 60x3	1
3.05.08	22 338	Fastening element 06-023	4
3.05.09	21 836	Fastening element 06-011	4
3.05.10	21 758	Counterpart 8099	1
3.05.11	21 725	O-Ring 65x3	1
3.05.12	21 759	Locking stopper 8099	1
	21 890	Fastening element 08-009	1
3.05.13	21 750	Guidance-socket 50/8099	1
	21 729	Gasket set 20x22x4,3	1
	21 730	Wiper 20x8	1
3.05.14	21 749	Piston-rod 50/8099	1
3.05.15	22 320	Piston 080-02 M, compl. (with Gaskets)	1
3.05.16	21 384	Fastening element 08-001	1



If you need more detailed information, please ask your dealer!

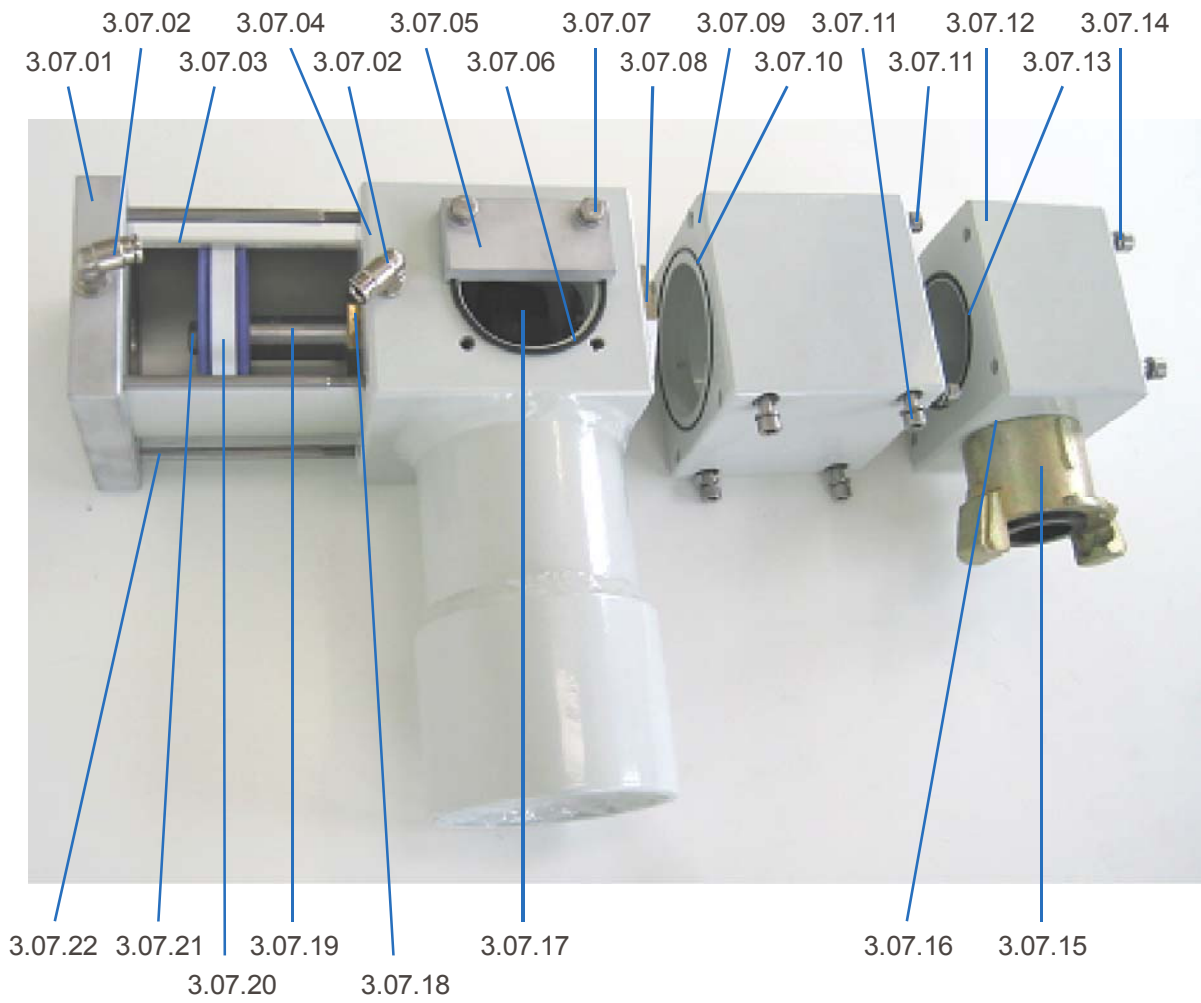
**3.06.00 Switching unit S6302**

Item	Article	Denomination	Quantity
<b>3.06.00</b>	<b>22 381</b>	<b>Switching unit S6302</b>	
	<b>22 382</b>	<b>Exchange Switching unit S6302</b>	
3.06.01	22 383	Plate Switching unit 63-02	1
3.06.02	20 134	Push-In 1/8-06, Form WA	2
3.06.03	22 566	Cylinder 063-02	1
	22 370	Gasket TEK 06302	2
3.06.04	21 891	Fastening element 06-014	4
3.06.05	22 567	Block S63-02	1
3.06.06	22 364	Locking-plate 02 DWSQS	1
3.06.07	20 236	O-Ring 60x3	1
3.06.08	22 338	Fastening element 06-023	4
3.06.09	21 836	Fastening element 06-011	4
3.06.10	21 748	Counterpart 5099	1
3.06.11	21 725	O-Ring 65x3	1
3.06.12	21 751	Locking stopper 5099	1
	21 890	Fastening element 08-009	1
3.06.13	21 750	Guidance-socket 50/8099	1
	21 729	Gasket set 20x22x4,3	1
	21 730	Wiper 20x8	1
3.06.14	22 560	Piston-rod 63/80-02	1
3.06.15	22 318	Piston 063-02 M, compl. (with Gaskets)	1
3.06.16	21 384	Fastening element 08-001	1



If you need more detailed information, please ask your dealer!

**3.07.00 Switching unit QS8002 (Kit 411)**

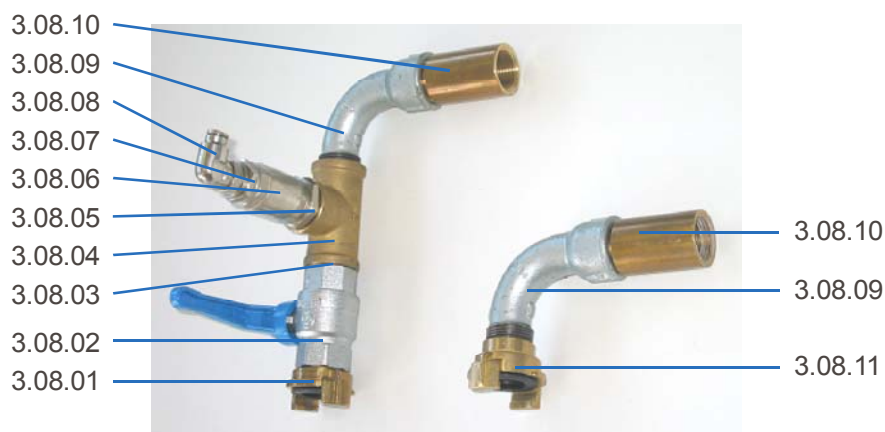


**3.07.00 Switching unit QS8002 (Kit 411)**

Item	Article	Denomination	Quantity
<b>3.07.00</b>	<b>22 384</b>	<b>Switching unit QS8002 (Kit 411)</b>	
	<b>22 385</b>	<b>Switching unit QS8002 (Kit 411)</b>	
3.07.01	21 755	Plate, Switching unit 8099	1
3.07.02	20 134	Push-In 1/8-06, Form WA	2
3.07.03	21 756	Cylinder 8099	1
	20 185	Gasket TEK 08095	2
3.07.04	21 762	Block III QS8099	1
3.07.05	22 364	Locking-plate 02 DWSQS	1
3.07.06	20 236	O-Ring 60x3	1
3.07.07	22 338	Fastening element 06-023	4
3.07.08	21 758	Counterpart 8099	1
3.07.09	21 763	Block II QS8099	1
3.07.10	21 727	O-Ring 80,5x2	1
3.07.11	21 836	Fastening element 06-011	8
3.07.12	21 764	Block I QS8099	1
3.07.13	20 236	O-Ring 60x3 mm	1
3.07.14	21 845	Fastening element 06-013	4
3.07.15	21 634	Blasting Coupling 1 1/2, F-Thread	1
	20 607	Gasket, Blasting Coupling (NW 42 mm), 11 mm	1
	21 594	Gasket, Blasting Coupling (NW 42 mm), 20 mm	1
3.07.16	22 209	Nippel 1 1/2	1
3.07.17	21 759	Locking stopper 8099	1
	21 890	Fastening element 08-009	1
3.07.18	21 750	Guidance-socket 50/8099	1
	21 729	Dichtsatz 20x22x4,3	1
	21 730	Wiper 20x8	1
3.07.19	21 749	Piston-rod 50/8099	1
3.07.20	22 320	Piston 080-02 M, compl. (with Gaskets)	1
3.07.21	21 834	Fastening element 08-001	1
3.07.22	21 891	Fastening element 06-014	4



If you need more detailed information, please ask your dealer!

**3.08.00 Connetion, Switching unit S6302**

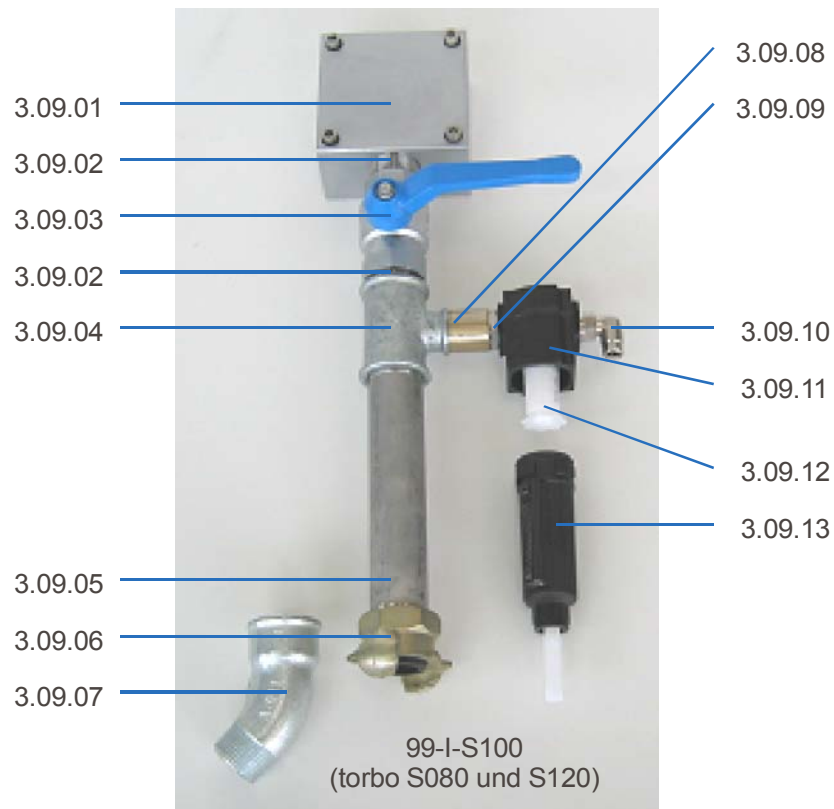
Item	Article	Denomination	Quantity
<b>3.08.00</b>	<b>20 652</b>	<b>Connetion S, Switching unit S6302 (ohne Kit 511)</b>	
3.08.09	20 789	Elbow 90°-3/4, F/M-Thread	1
3.08.10	21 815	tap-lengthening 3/4-65 mm, M/F-Thread	1
3.08.11	20 425	Pressure water coupling (NW 40mm) 3/4, F-Thread	1
	20 684	Gasket, Pressure water coupling (NW 40 mm)	1

Item	Article	Denomination	Quantity
<b>3.08.00</b>	<b>21 968</b>	<b>Connetion ZW, Switching unit S6302 (with Kit 511)</b>	
3.08.01	20 198	Pressure water coupling (NW 40mm) 3/4, M-Thread	1
	20 684	Gasket, Pressure water coupling (NW 40 mm)	1
3.08.02	20 204	Venting valve 3/4, F-Thread	1
	21 130	Handle, Venting valve 3/4 (blue)	1
3.08.03	20 150	Nippel 3/4, M-Thread	1
3.08.04	20 160	T-Fitting 3/4 ,F-Thread	1
3.08.05	22 082	Double-nippel 3/4-1/2, M-Thread	1
3.08.06	21 883	Non-return valve 1/2 gerade, F-Thread	1
3.08.07	20 213	Reduce nippel 1/4-1/2, F/M-Thread	1
3.08.08	20 136	Push-In 1/4-08, Form WA	1
3.08.09	20 789	Elbow 90°-3/4, F/M-Thread	1
3.08.10	21 815	tap-lengthening 3/4-65 mm, M/F-Thread	1



If you need more detailed information, please ask your dealer!

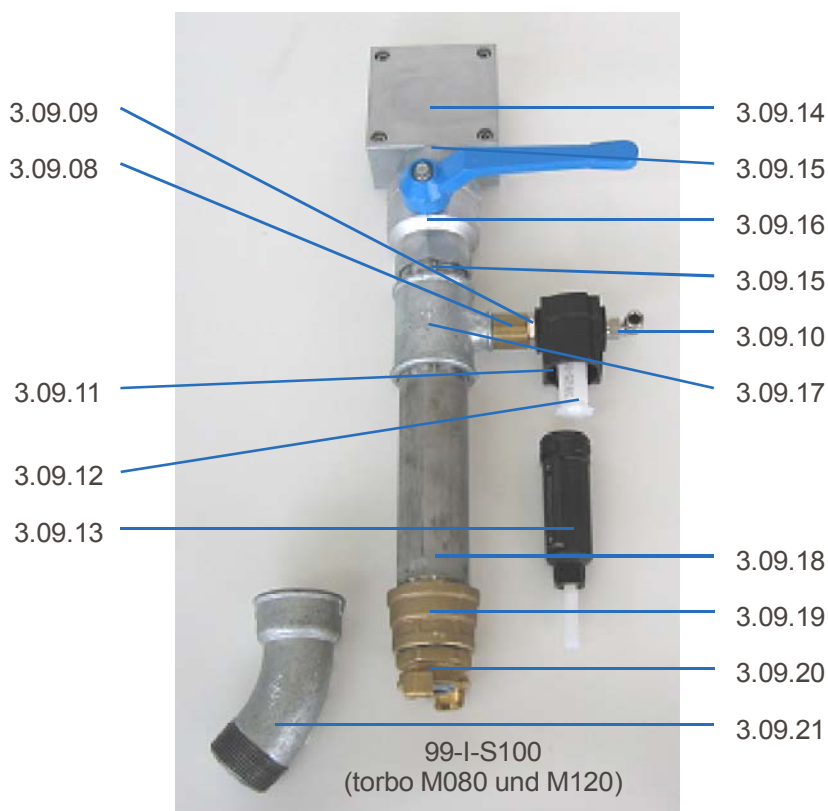


**3.09.00 Compressed air connection 99-I****A. Compressed air connection 99-I-S100 (torbo S080 and S120)**

Item	Article	Denomination	Quantity
3.09.00	<b>21 785</b>	<b>Compressed air connection 99-I-S100 (for torbo® S080 and S120)</b>	
3.09.01	21 886	Block DL 4-100	1
3.09.02	22 213	Nippel 1x40mm, stainless steel	2
3.09.03	20 863	Venting valve 1, F-Thread	1
	21 231	Handle, Venting valve 1 (blue)	1
3.09.04	21 781	T-Fitting 1-1-1/2, F-Thread	1
3.09.05	22 207	Nippel 1x180 stainless steel	1
3.09.06	21 037	Air-pressure Coupling 1, M-Thread	1
	20 794	Gasket, Air-pressure Coupling	1
3.09.07	22 020	Arc 1-45°, F/M-Thread	1
3.09.08	22 044	tap-lengthening 1/2-25, F/M-Thread	1
3.09.09	20 213	Reduce nipple 1/2-1/4, M/F-Thread	1
	20 908	Nippel 1/4, M-Thread	1
3.09.10	20 136	Push-In 1/4-08, Form WA	1
3.09.11	21 833	Airfilter 1499	1
	22 301	Centre-bolt, Airfilter 1499	1
	22 302	Screw, Airfilter 1499	1
3.09.12	21 863	Filter insert 20 µm, Airfilter 1499	1
3.09.13	21 862	Container, Airfilter 1499	1
	22 306	O-Ring (for Container 1499)	1



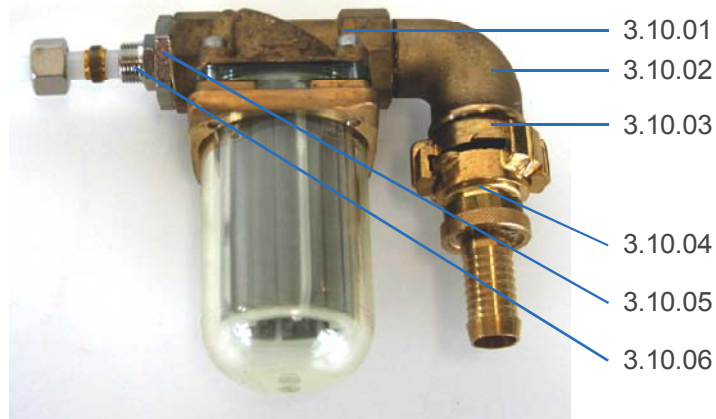
If you need more detailed information, please ask your dealer!

**B. Compressed air connection 99-II-M150 (torbo M080 and M120)**

Item	Article	Denomination	Quantity
<b>3.09.00</b>	<b>21 786</b>	<b>Compressed air connection 99-I-M-150, compl. (for torbo® M080 and M120)</b>	<b>1</b>
3.09.08	22 044	tap-lengthening 1/2-25, F/M-Thread	1
3.09.09	20 213	Reduce nipple 1/2-1/4, M/F-Thread	1
	20 908	Nippel 1/4, M-Thread	1
3.09.10	20 136	Push-In 1/4-08, Form WA	1
3.09.11	21 833	Airfilter 1499	1
	22 301	Centre-bolt, Airfilter 1499	1
	22 302	Schraube, Kunststoff, Airfilter 1499	1
3.09.12	21 863	Filter insert 20 µm, Airfilter 1499	1
3.09.13	21 862	Container, Airfilter 1499	1
	22 306	O-Ring (for Container 1499)	1
3.09.14	22 023	Block DL 4-150	1
3.09.15	22 209	Nippel 1 1/2x40mm, stainless steel	2
3.09.16	20 335	Venting valve 1 1/2, F-Thread	1
	20 623	Handle, Venting valve 1 1/2 (blue)	1
3.09.17	20 170	T-Fitting 1 1/2-1 1/2-1/2, F-Thread	1
3.09.18	22 206	Nippel 1 1/2x190 stainless steel	1
3.09.19	22 386	Reduce nipple 1 1/2 – 1 1/4, F-Thread	1
3.09.20	20 533	Air-pressure Coupling 1 1/4, M-Thread	1
	22 387	Gasket, Air-pressure Coupling (1 1/4)	1
3.09.21	21 832	Arc 1 1/2-45°, F/M-Thread	1



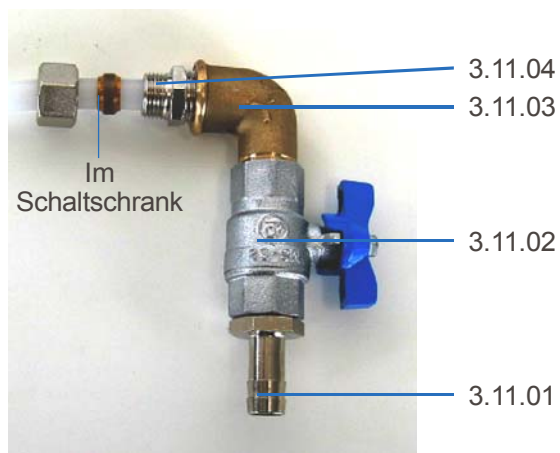
If you need more detailed information, please ask your dealer!

**3.10.00 Water connection 99**

Item	Article	Denomination	Quantity
<b>3.10.00</b>	<b>21 792</b>	<b>Water connection 99, compl.</b>	<b>1</b>
3.10.01	20 187	Waterfilter supply 1	1
	20 603	Filter insert, Waterfilter supply 1	1
	20 629	Gasket, Waterfilter supply 1	1
	20 627	Container, Waterfilter supply 1	1
3.10.02	20 158	Elbow 1, F/M-Thread	1
3.10.03	20 839	Pressure water coupling (NW 40 mm) 1, M-Thread	1
	20 684	Gasket, Pressure water coupling (NW 40 mm)	1
3.10.04	21 598	Suction-water-Coupling (NW 40 mm) 13 mm	1
	20 684	Gasket, Pressure water coupling (NW 40 mm)	1
3.10.05	21 739	Reduce nipple 1/2-1, F/M-Thread	1
3.10.06	22 348	Fitting 1/2-12, Form GA	1
	22 346	Tubing Sleeve - Compression, Fitting 12 mm	1



If you need more detailed information, please ask your dealer!

**3.11.00 Connetion Pumpe 99 (Kit 203)**

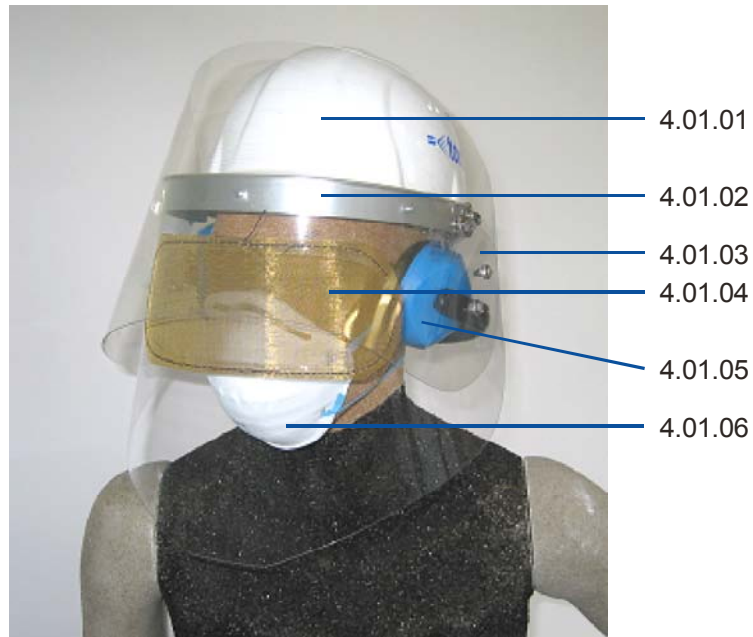
Item	Article	Denomination	Quantity
<b>3.11.00</b>	<b>21 798</b>	<b>Connetion DL-DW 99, compl.</b>	<b>1</b>
3.11.01	20 218	Fitting 1/2-13 mm, M-Thread	1
3.11.02	22 555	Venting valve 1/2, F-Thread	1
	21 794	Handle 1/2 F-Thread	1
3.11.03	21 743	Elbow 1/2, F/M-Thread	1
3.11.04	22 348	Fitting 1/2-12, Form GA	1
	22 346	Tubing Sleeve - Compression, Fitting 12 mm	1



If you need more detailed information, please ask your dealer!

## 4.00.00 Standard Equipment

### 4.01.00 Safty Equipment



Item	Article	Denomination	Quantity
	<b>21 178</b>	<b>Safty Equipment, compl.</b>	
	<b>20 278</b>	<b>Helmet with double Face-protection, compl.</b>	
4.01.01	20 189	Helmet	1
4.01.02	20 178	Bracket, Face-protection	1
4.01.03	20 247	Windshield without Wire-tissues, Helmet	1
4.01.04	20 179	Windshield with Wire-tissues, Helmet	1
4.01.05	20 188	Hearing-protection	1
4.01.06	20 347	Fine-dust-mask	1

**4.02.00 Handheld lances, nozzles, Hoses, Nozzle-holder, Couplings/Plugs and Cable**

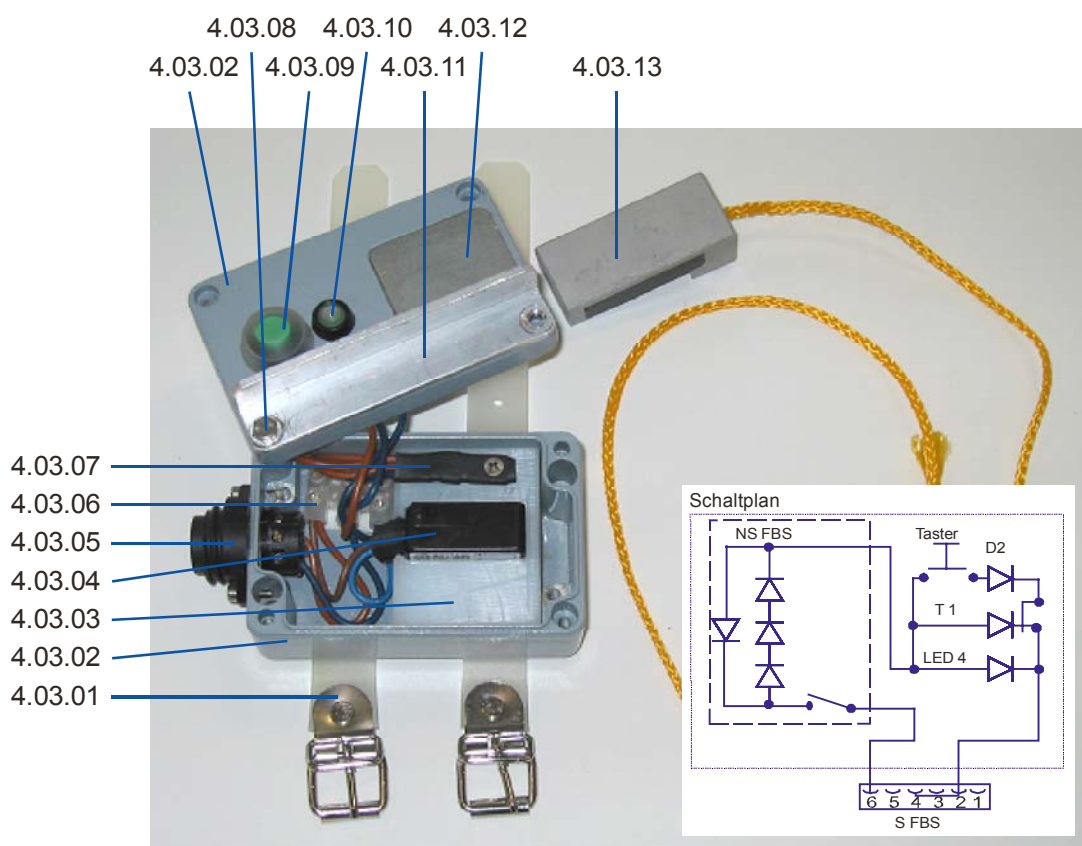
Item	Article	Denomination	Quantity
		<b>Handheld lances with Nozzle-holder and Blasting coupling</b>	
4.02.01	21 184	Handheld lance 13-2,5 (1/2" Hose – 2,5 m long)	
	22 094	Handheld lance 13-20 (1/2" Hose – 20 m long)	
4.02.02	21 185	Handheld lance 19-2,5 (3/4" Hose – 2,5 m long)	
	20 539	Handheld lance 19-20 (3/4" Hose – 20 m long)	
4.02.03	21 186	Handheld lance 25-2,5 (1" Hose – 2,5 m long)	
4.02.04	21 187	Handheld lance 32-2,5 (1 1/4" Hose – 2,5 m long)	
4.02.05	22 293	Nozzle-holder	
		<b>Blasting hoses with Blasting couplings</b>	
4.02.06	20 918	Blasting hose 13/7 – 20 m long with Coupling 1	
	21 034	Blasting hose 13/7 – 40 m long with Coupling 1	
4.02.07	20 479	Blasting hose 19/7 – 20 m long with Coupling 2	
	20 485	Blasting hose 19/7 – 40 m long with Coupling 2	
4.02.08	20 478	Blasting hose 25/7 – 20 m long with Coupling 3	
	20 483	Blasting hose 25/7 – 40 m long with Coupling 3	
	20 477	Blasting hose 32/8 – 20 m long with Coupling 3	
	20 486	Blasting hose 32/8 – 40 m long with Coupling 3	
		<b>Extension-Cable</b>	
4.02.09	21 801	Cable for FB S99 – 25 m long	
	22 304	Cable for FB S99 – 50 m long	
4.02.10	21 121	Cable for FB S95 – 25 m long	
	22 305	Cable for FB S95 – 50 m long	

**4.02.00 Handheld lances, nozzles, Hoses, Nozzle-holder, Couplings/Plugs and Cable**

Item	Article	Denomination	Quantity
		<b>Blasting Couplings</b>	
4.02.11	21 127	Blasting Coupling 1 for Hose 13/7 (1/2“)	
4.02.12	20 681	Blasting Coupling 2 for Hose 19/7 (3/4“)	
4.02.13	20 435	Blasting Coupling 3 for Hose 25/7 (1“)	
	20 583	Blasting Coupling 3 for Hose 32/8 (1 1/4“)	
	20 607	Gasket, Blasting Coupling (NW 42 mm), 11 mm long	
	21 594	Gasket, Blasting Coupling (NW 42 mm), 20 mm long	
		<b>Electr. Couplings and Plug</b>	
4.02.14	21 803	Coupling, Cable FB S99	
	21 805	Plug, Cable FB S99	
4.02.15	21 047	Coupling, Cable FB S95	
	21 120	Plug, Cable FB S95	
		<b>Blasting nozzles</b>	
4.02.16	21 570	torbo-Blasting nozzle Venturi Nr. 5 (8,0 mm)	
	21 571	torbo-Blasting nozzle Venturi Nr. 6 (9,5 mm)	
	21 572	torbo-Blasting nozzle Venturi Nr. 8 (12,5 mm)	
4.02.17	21 113	torbo-Blasting nozzle Laval with Supplementary nozzle 6 mm	
	21 114	torbo-Blasting nozzle Laval with Supplementary nozzle 8 mm	
	21 115	torbo-Blasting nozzle Laval with Supplementary nozzle 10 mm	
	21 116	torbo-Blasting nozzle Laval with Supplementary nozzle 12 mm	
	21 117	torbo-Blasting nozzle Laval with Supplementary nozzle 14 mm	
	20 528	torbo-Blasting nozzle Laval 16 mm	
4.02.18	21 984	torbo-Blasting nozzle Cylinder 06 (6 mm)	
	21 985	torbo-Blasting nozzle Cylinder 08 (8 mm)	
4.02.19	21 983	torbo-Blasting nozzle Soft 06 (6 mm)	
		<b>Nozzle-holder</b>	
4.02.20	20 827	Nozzle-holder Soft and Hose 13/7 (1/2“)	
4.02.21	20 612	Nozzle-holder Cylinder and Hose 19/7 (3/4“)	
4.02.22	21 592	Nozzle-holder Laval and Hose 19/7 (3/4“)	
	21 589	Nozzle-holder Laval and Hose 25/7 (1“)	
	21 590	Nozzle-holder Laval and Hose 32/8 (1 1/4“)	
4.02.23	20 830	Nozzle-holder Venturi and Hose 25/7 (1“)	
	20 611	Nozzle-holder Venturi and Hose 32/8 (1 1/4“)	
4.02.05	22 293	Nozzle-holder Venturi and Blasting Coupling	



If you need more detailed information, please ask your dealer!

**4.03.00 Remote control FB S99**

Item	Article	Denomination	Quantity
<b>4.03.00</b>	<b>21 807</b>	<b>Remote control FB S99, compl.</b>	<b>1</b>
4.03.01	20 447	Belt with buckle	2
4.03.02	21 923	Casing, FB S99	1
4.03.03	21 356	Holder, Micro switch FB 95	1
4.03.04	21 359	Micro switch FB 95 (with Cable)	1
4.03.05	21 873	Plug FB 99 (einbau)	1
	20 383	Cylinder-screw DIN 912-M3x10-A2	2
4.03.06	21 327	Terminal block 3er	1
4.03.07	21 357	Thyristor, compl. (with Cable)	1
	21 927	Spax's Screw DIN 7997-2,5x12	1
4.03.08	21 924	Cylinder-screw DIN 84-M4x25-A2	2
4.03.09	21 123	Switch for FB with Protective hood, compl.	1
	21 355	Switch for FB95	1
	21 299	Protective hood, Switch FB95	1
4.03.10	21 334	LED 95 (green) with Casing, compl.	1
4.03.11	21 352	Holder FB S (above)	2
	21 606	Fortification-rail FB S (below)	2
4.03.12	90 352	Plate, Remote control FB 95	1
4.03.13	20 184	Magnet with lanyard	1



If you need more detailed information, please ask your dealer!





